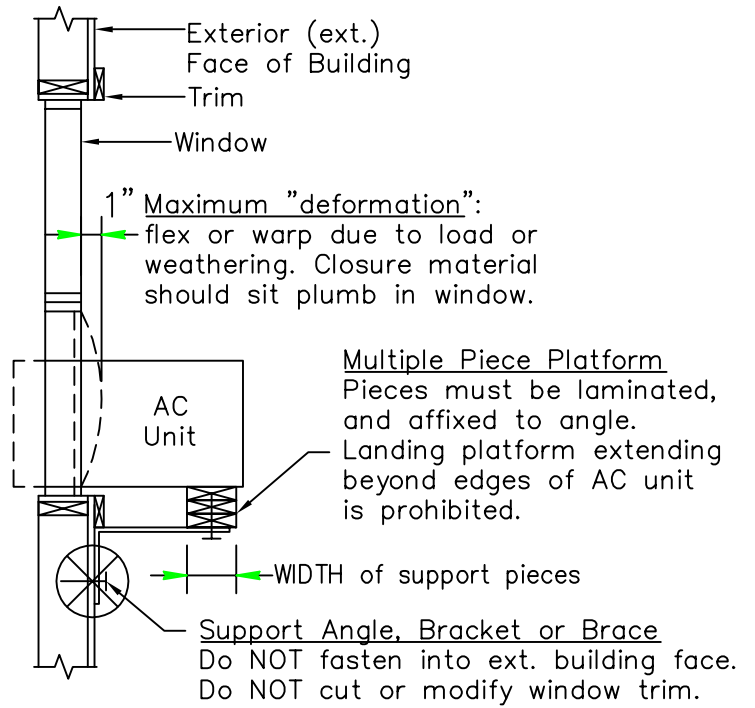
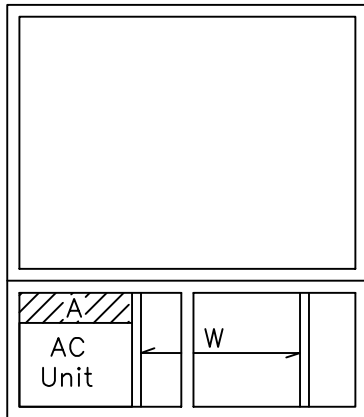


Window Section



Window Section



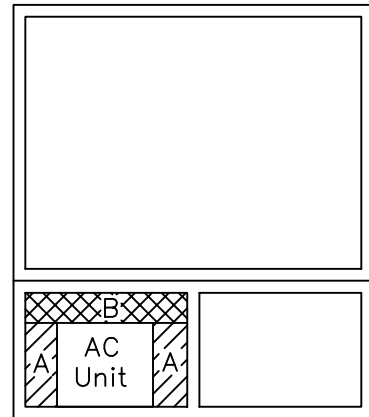
Typical Std Window Elevation

Typical Closure

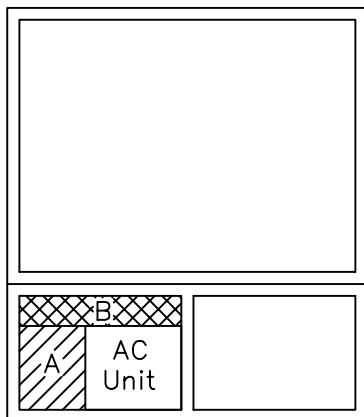
W = window

- =material A
- =material B

each closure to be a single piece of rigid material, or designed enclosure type

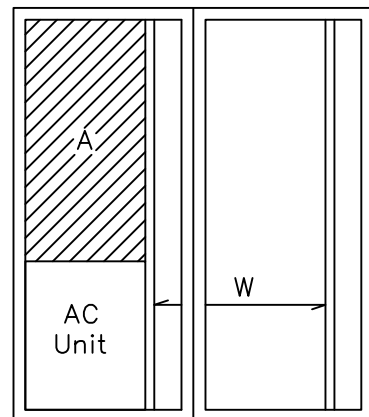


Std Window Elevation



Std Window Elevation

Typical Acceptable Installations As Shown



Tall Slider Elevation

INSTALLATIONS SIMILAR TO STD WINDOW ARE ACCEPTABLE © TALL SLIDERS (1 SHOWN)